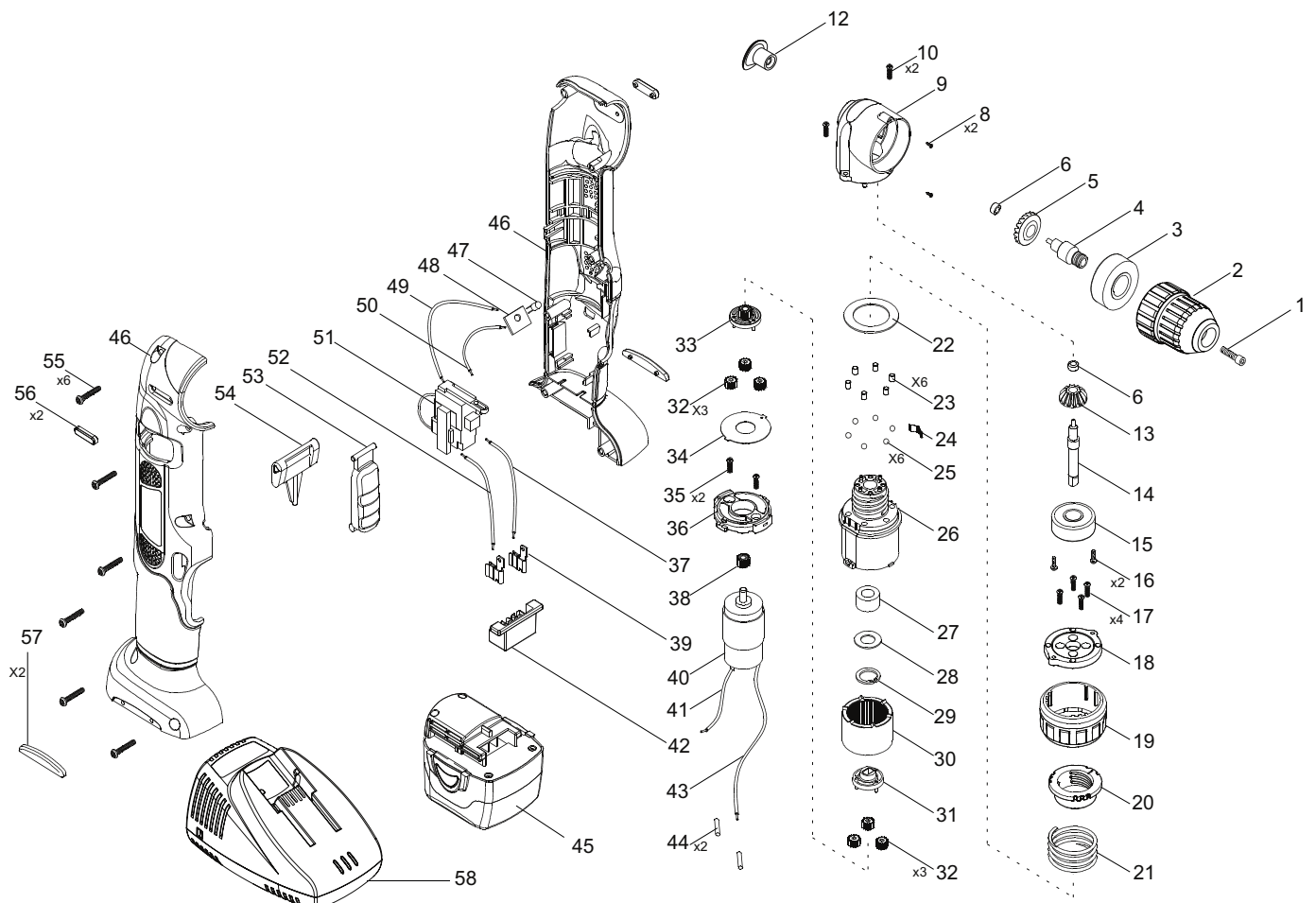


POS. No.	Ref. No.	Description
1	181278	Screw
2	182947	Chuck
3	181280	Ball Bearing
4	181281	Main shaft
5	181282	Screw bevel gear
6	181283	Bearing
8	181285	Screw
9	181286	Bottom base
10	181287	Screw
12	182948	Rubber Cap
13	181290	Screw bevel gear
14	181291	Restraining shaft
15	181292	Ball Bearing
16	181293	Screw
17	181294	Screw
18	181295	Basic base
19	181296	Torque sleeve
20	181297	Torque knob
21	181298	Torque spiral
22	181299	Washer
23	181300	Pin
24	181301	Orientation spring
25	181302	Steel ball
26	181303	Gear box
27	181304	Bearing
28	181305	Washer
29	181306	C Clip
30	181307	Clutch
31	181308	Twist set

POS. No.	Ref. No.	Description
32	181309	Planet gear
33	181310	Twist set
34	181311	Washer
35	181312	Screw
36	181313	Motor base
37	181314	Internal wiring
38	181315	Gear
39	181316	Terminal
40	181317	Motor
41	181318	Internal wiring
42	181319	Terminal holder
43	181320	Internal wiring
44	181321	Thermal shrink tube
45	181322	Battery pack
46	181323	Enclosure
47	181324	Led
48	185326	PCB +resistor
49	181326	Internal wiring
50	181327	Internal wiring
51	185324	Switch
52	181329	Internal wiring
53	181330	Trigger cover
54	181331	Reversing Actuator
55	181332	Screw
56	181333	Soft grip (1)
57	181334	Soft grip (2)
58	181335	Charger EU
204	179860	Grease 2 - 1,00 kg.



181336

181337